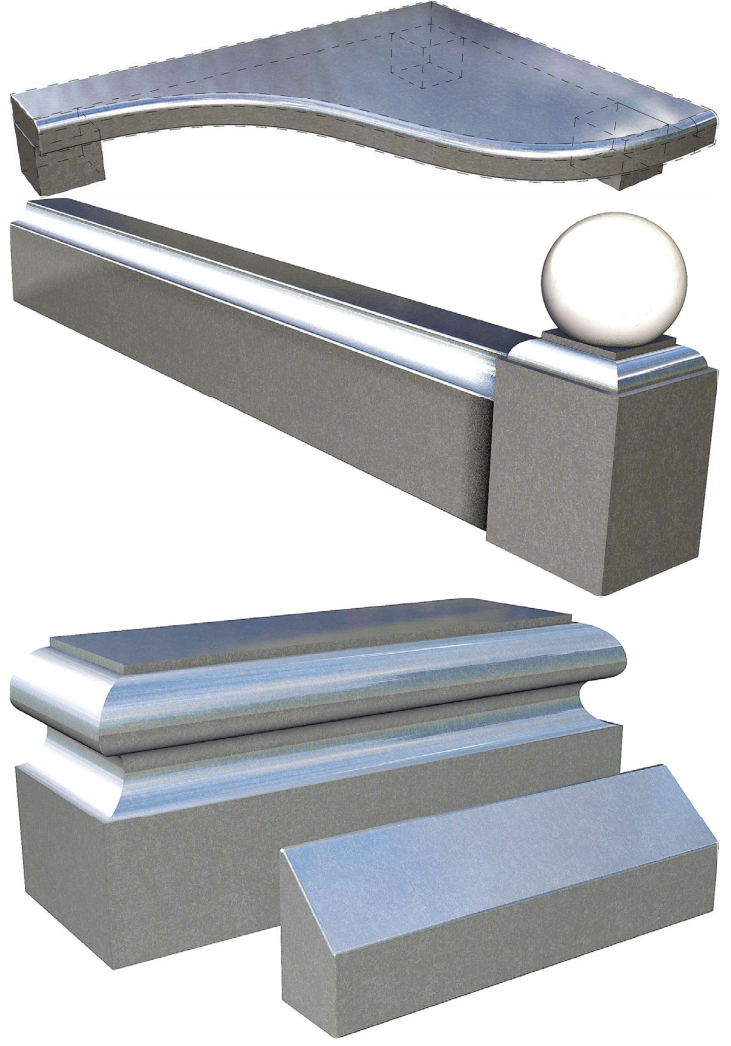
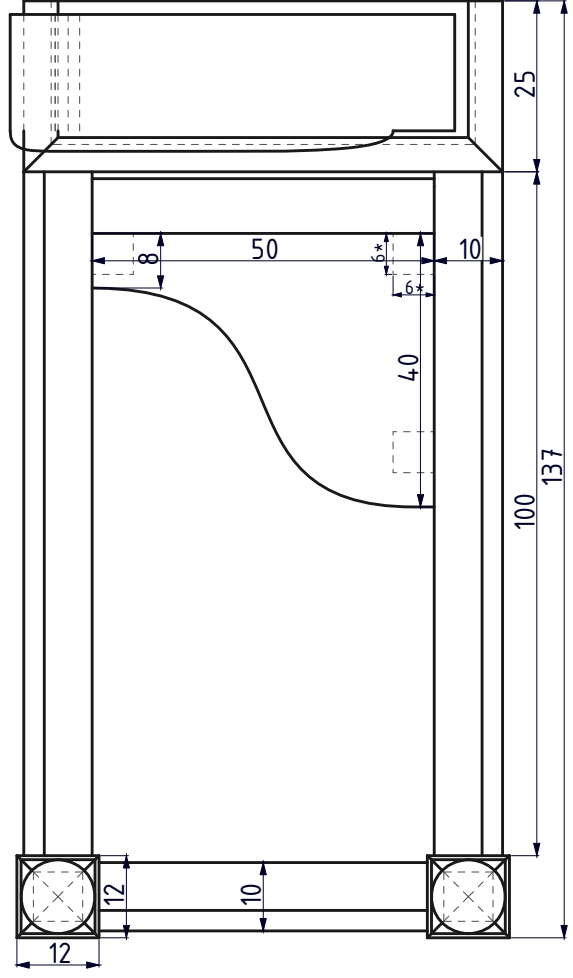
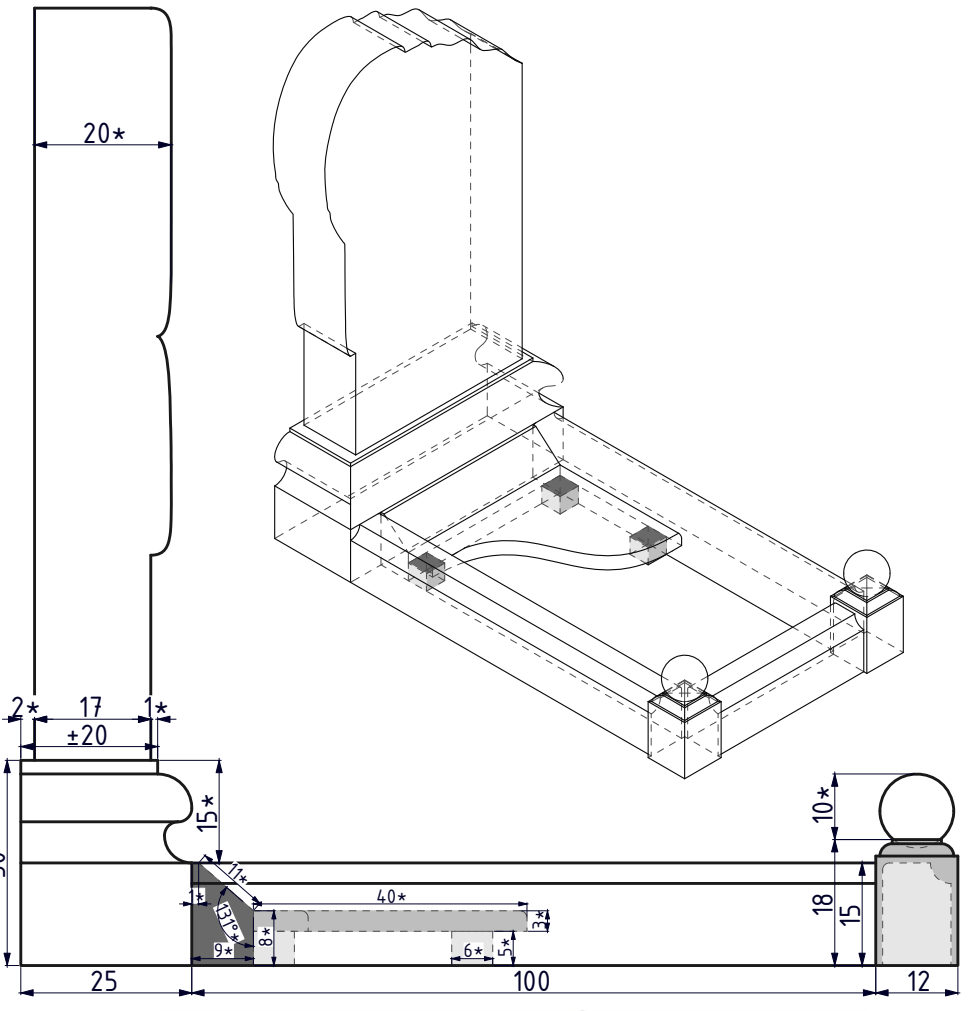
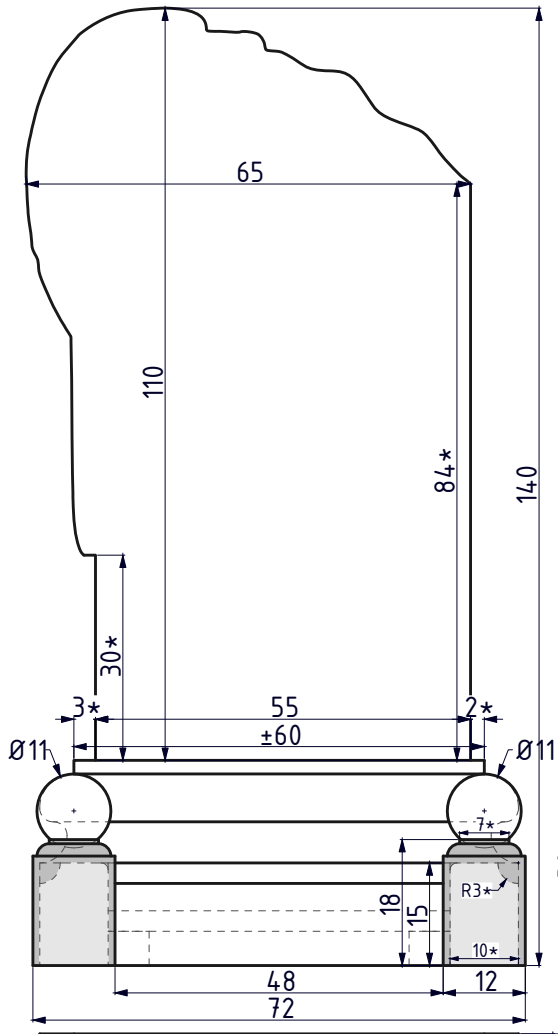




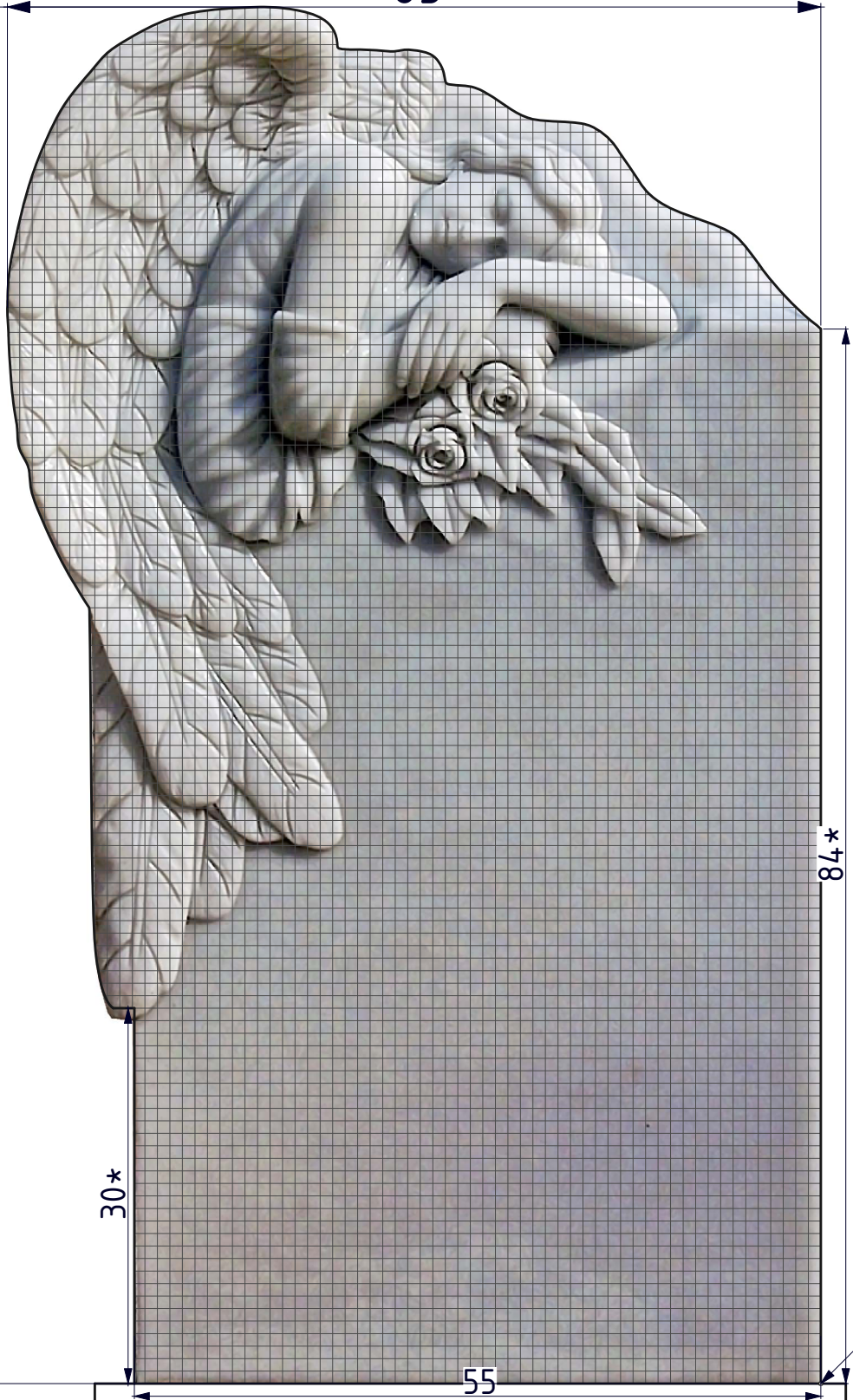
| | | | | | |
|----------|--|--|--|-----------------|--|
| | | | | 90324 | |
| | | | | page | |
| confirm: | | | | 1 | |
| design: | | | | Шадловский М.А. | |
| | | | | ООО "ЛЕВША" | |



| | | | | | |
|----------|------------------|--|--|-------------|--|
| | | | | 90324 | |
| | | | | page | |
| | | | | 2 | |
| | | | | ООО "ЛЕВША" | |
| confirm: | | | | | |
| design: | Щадиловский М.А. | | | | |

110

65

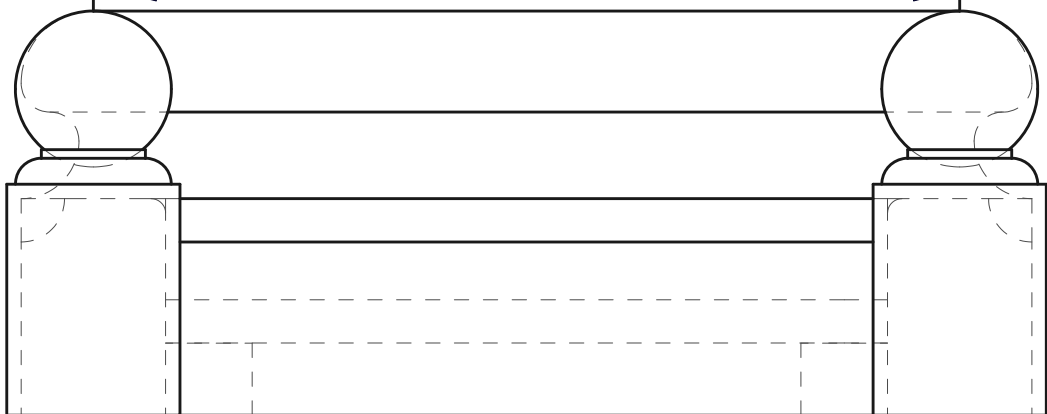


84*

30*

55

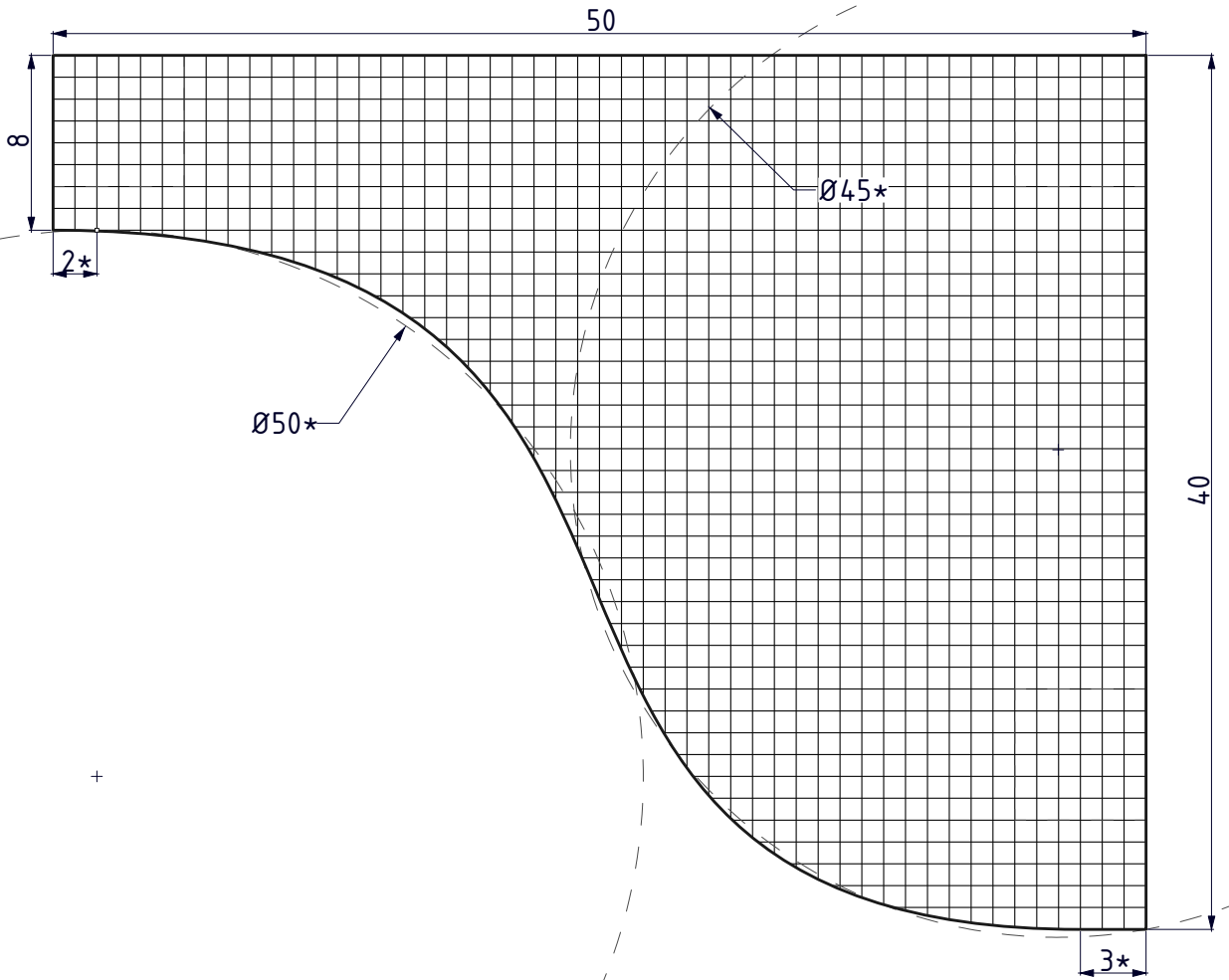
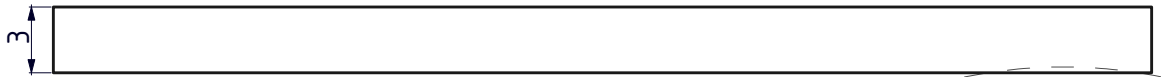
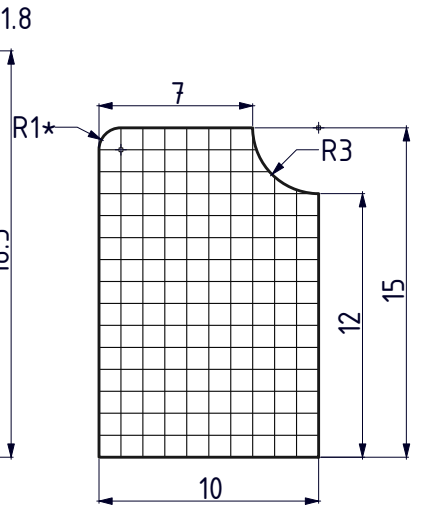
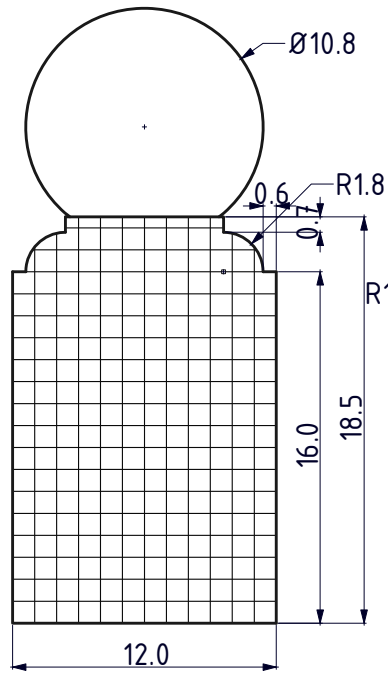
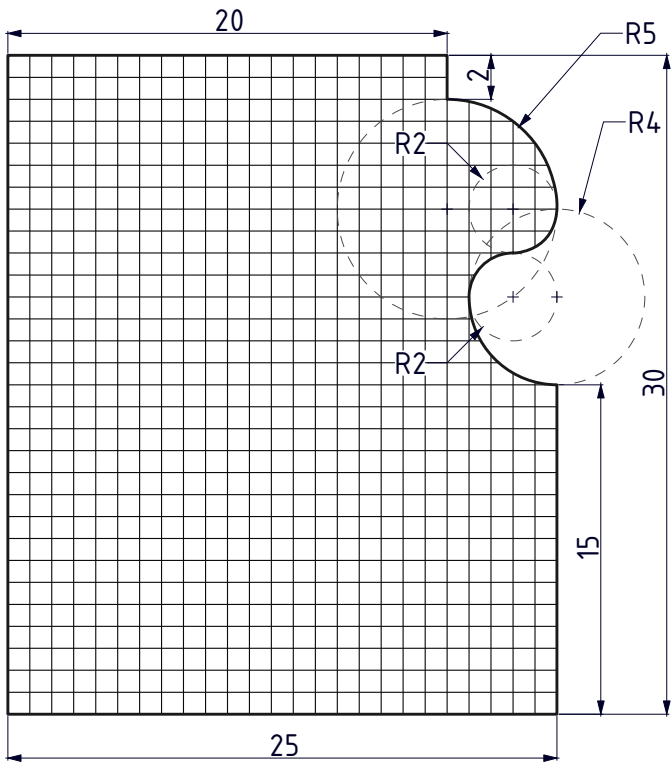
base point



90324

| | | | | |
|----------|-----------------|--|--|--|
| | | | | |
| confirm: | | | | |
| design: | Шадловский М.А. | | | |

| | |
|-------------|------|
| | page |
| | 3 |
| ООО "ЛЕВША" | |



| | | | | |
|----------|-----------------|--|--|--|
| | | | | |
| confirm: | | | | |
| design: | Шадловский М.А. | | | |

90324

page

4

ООО "ЛЕВША"